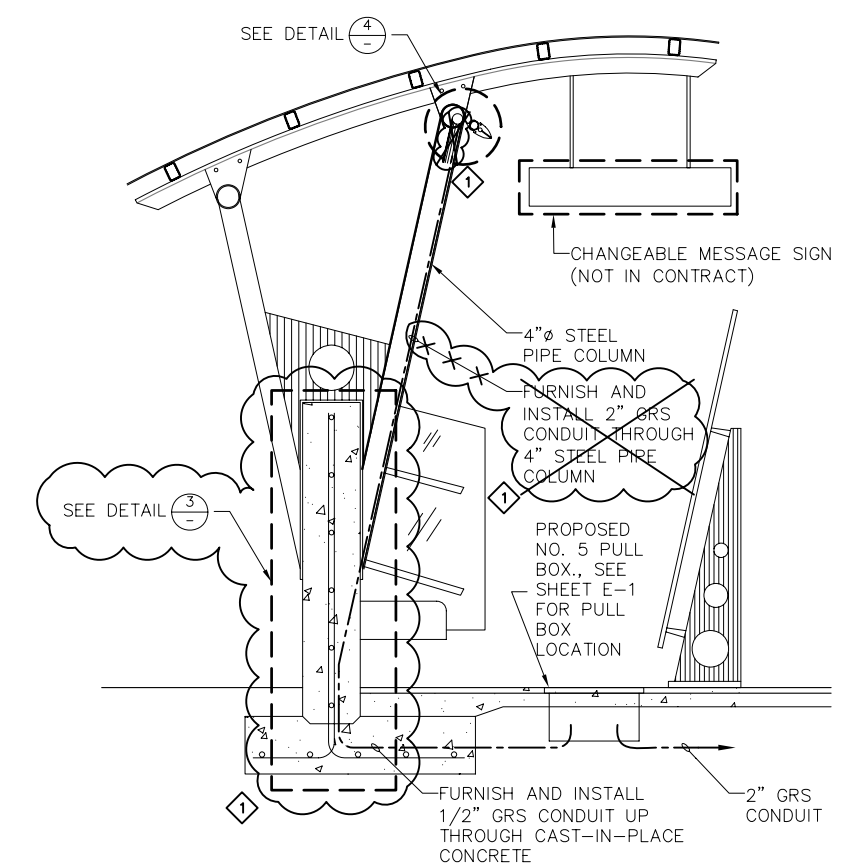
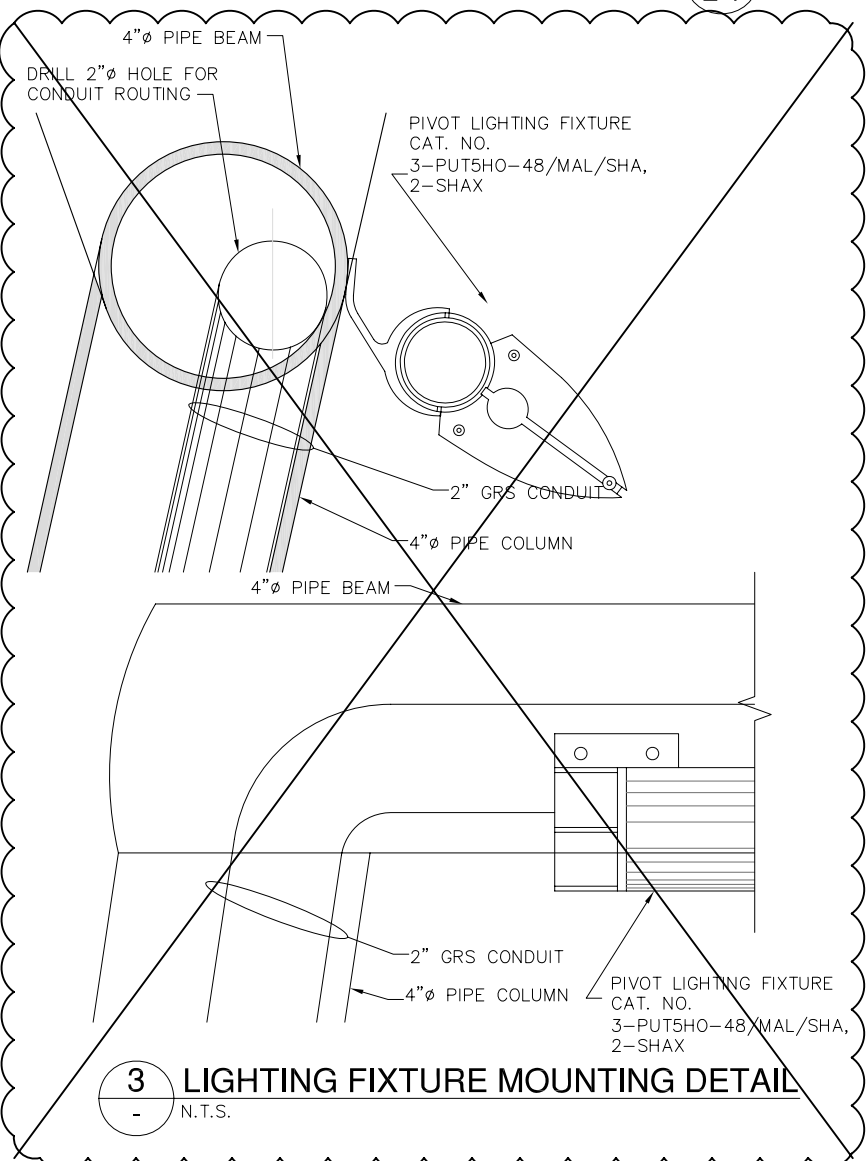


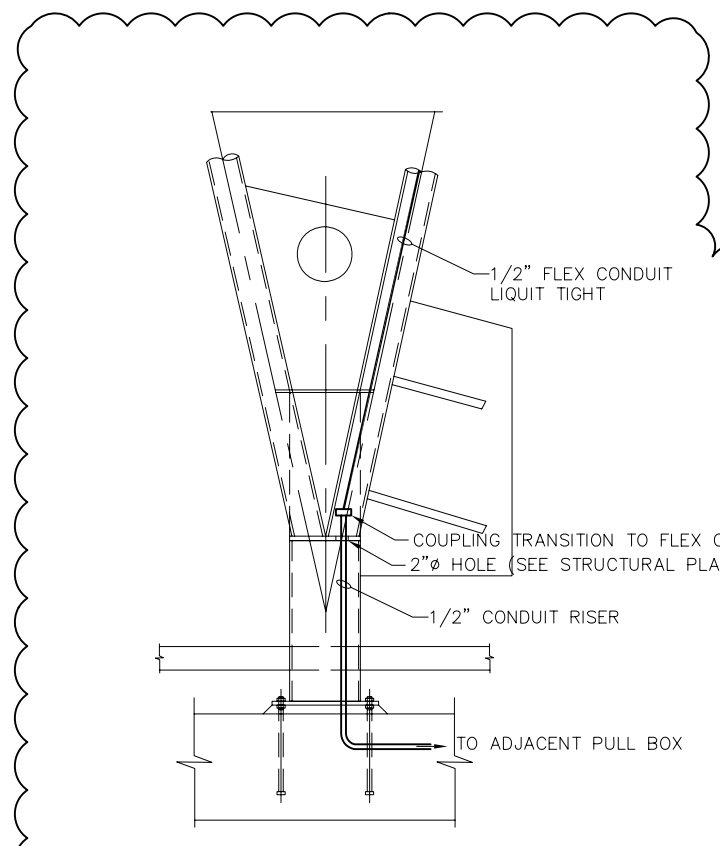
1 SHELTER LIGHTING DETAIL (PLAN VIEW)
E-1 N.T.S.



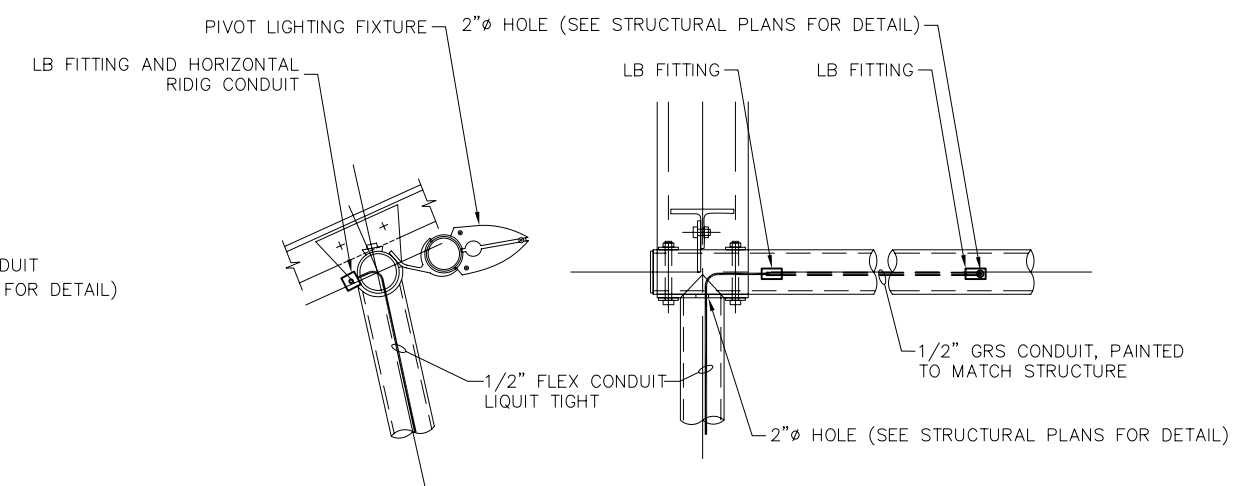
2 SHELTER LIGHTING DETAIL (CROSS SECTION)
N.T.S.



3 LIGHTING FIXTURE MOUNTING DETAIL
N.T.S.



3 CONDUIT INSTALLATION DETAIL
N.T.S.



4 SHELTER LIGHTING AND CONDUIT INSTALLATION DETAIL (CROSS SECTION)
N.T.S.

Aug 05, 2009 - 1:57pm P:\P\VA\05198-000\Diablo Valley College - Transit Center\CAD\USA Plans & Specs\06188-SHELTER LIGHTING DETAIL.dwg

NO WORK SHALL BE DONE ON THIS SITE UNTIL BELOW AGENCY IS NOTIFIED OF INTENTION TO GRADE OR EXCAVATE.
Underground Service Alert
Call: TOLL FREE
1-800-422-4133
TWO WORKING DAYS BEFORE YOU DIG



DKS Associates
TRANSPORTATION SOLUTIONS
1000 Broadway, Suite #450
Oakland, California 94607-4099
Tel.: 510-763-2061
Fax: 510-268-1739
KEVIN J. FEHON R.E.E. E16378 DATE

REVISIONS					
NO.	DATE	BY	DESCRIPTION	APPR.	DATE
1	7/09	FXC	ADDENDUM #1		

DRAWN	MNL	DESIGNED	FXC
CHECKED	KJF	DATE	05/21/09
SCALE		CAD FILE:	
HORIZ:	N.T.S.	PROJECT NO.	
VERT:			

Diablo Valley College
Transit Center
SHELTER LIGHTING
DETAIL

APPROVED BY _____

Diablo Valley College

DRAWING NO.
E-5
SHT 35 OF 48